

**RoHS series** 

**Part Number Code.**

**Example :**

T D C 05 C 310 J-5 X1 TA  
 (1) (2) (3) (4) (5) (6) (7) (8) (9) (10)

(1) T : ( UEI NTC Thermistor )

(2) D : ( Disc Type )

(3) C : ( Epoxy Coated )

(4) Nominal Diameter :

03 : 3mm  
 05 : 5mm

(5) Beta Value

	S	≧ 1600
1600 <	A	≧ 3300
3300 <	B	≧ 3600
3600 <	C	≧ 4200
4200 <	D	

(6) Resistance of 25°C

010~090	:	10~90Ω
110~190	:	100~900Ω
210~260	:	1K~6KΩ
310~350	:	10K~50KΩ
410~447	:	100K~470KΩ

(7) Tolerance of Resistance

J	:	± 5%
K	:	± 10%
L	:	± 15%

(8) Lead free

(9) Forming Type ( Kink )

(10) Packing

TA: ammpack  
 TR: reel

## DIMENSION:



Disc $\Phi$	Dmax	Lmin	d	F	Tmax
3	4	25	0.50±0.02	2.5±1.0	3.5
5	6.5	25	0.50±0.02	3.5±1.0	4
5	6.5	25	0.50±0.02	5.0±1.0	4

### Maximum Power Rating:200mW

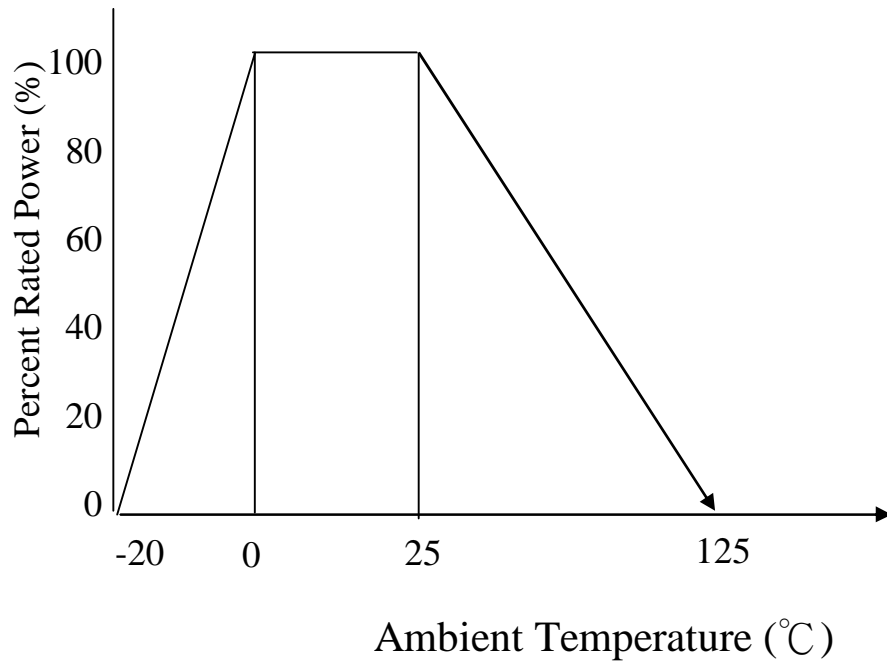
Part No.	Nominal Resistance at 25°C(Ohms)	Beta Value(± 7%) (°K)	Max. Permissible Current at 25°C(mA)	Thermal Dissipation Constant(mW/°C)	Thermal Time Constant (Sec.)	UL
TDC03A110 -5	100	3141	50	5.5	10	
TDC03A210 -5	1000	3000	25	5.5	10	•
TDC03C220 -5	2000	3800	20	5.5	10	•
TDC03C222 -5	2200	3800	20	5.5	10	•
TDC03C227 -5	2700	3800	20	5.5	10	•
TDC03C230 -5	3000	3800	18	5.5	10	•
TDC03C240 -5	4000	3800	15	5.5	10	•
TDC03C247 -5	4700	3800	15	5.5	10	•
TDC03C250 -5	5000	3800	15	5.5	10	•
TDC03C268 -5	6800	3800	10	5.5	10	•
TDC03C310 -5	10000	4000	10	5.5	10	•
TDC03C312 -5	12000	4000	10	5.5	10	•
TDC03C315 -5	15000	4000	10	5.5	10	•
TDC03C320 -5	20000	4100	10	5.5	10	•
TDC03C322 -5	22000	4100	10	5.5	10	•
TDC03C330 -5	30000	4100	7	5.5	10	•
TDC03C333 -5	33000	4100	7	5.5	10	•
TDC03C347 -5	47000	4200	5	5.5	10	•
TDC03C350 -5	50000	4200	5	5.5	10	•
TDC03C368 -5	68000	4200	5	5.5	10	•
TDC03D410 -5	100000	4400	3	5.5	10	•
TDC03D422 -5	220000	4293	2	5.5	10	•

### Maximum Power Rating:250mW

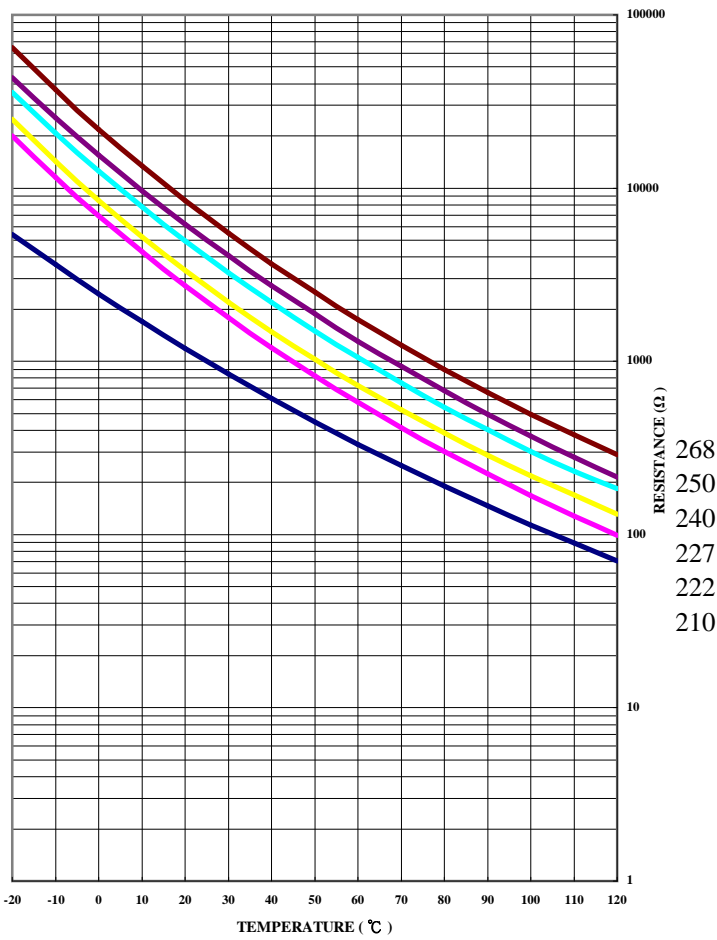
Part No.	Nominal Resistance at 25°C(Ohms)	Beta Value(± 7%) (°K)	Max. Permissible Current at 25°C(mA)	Thermal Dissipation Constant(mW/°C)	Time Constant (Sec.)	UL
TDC05A010 -5	10	2600	500	6	21	•
TDC05A015 -5	15	2900	250	6	18	•
TDC05A020 -5	20	2900	250	6	18	•
TDC05A045 -5	45	3100	250	6	16	•
TDC05A050 -5	50	3100	250	6	19	•

TDC05A070 -5	70	3100	250	6	18	•
TDC05A085 -5	85	3100	250	6	19	•
TDC05A090 -5	90	3100	250	6	19	•
TDC05A110 -5	100	3100	200	6	19	•
TDC05A112 -5	120	3100	200	6	22	•
TDC05A120 -5	200	3000	200	6	14	•
TDC05A122 -5	220	3000	180	6	18	•
TDC05A125 -5	250	3000	150	6	17	•
TDC05A130 -5	300	3000	150	6	15	•
TDC05A135 -5	350	3000	125	6	15	•
TDC05C150 -5	500	3800	100	6	16	•
TDC05C180 -5	800	3700	80	6	18	•
TDC05C210 -5	1000	3700	80	6	17	•
TDC05C215 -5	1500	3700	60	6	14	•
TDC05C220 -5	2000	4000	60	6	14	•
TDC05C222 -5	2200	4000	60	6	14	•
TDC05C225 -5	2500	4000	60	6	13	•
TDC05C230 -5	3000	4000	50	6	14	•
TDC05C233 -5	3300	4100	45	6	21	•
TDC05C235 -5	3500	4100	45	6	16	•
TDC05C240 -5	4000	4100	45	6	14	•
TDC05C245 -5	4500	4100	45	6	21	•
TDC05C247 -5	4700	4100	45	6	22	•
TDC05C250 -5	5000	4100	45	6	15	•
TDC05C260 -5	6000	4100	40	6	20	•
TDC05C310 -5	10000	4100	30	6	15	•
TDC05C312 -5	12000	4100	30	6	21	•
TDC05C315 -5	15000	4200	25	6	18	•
TDC05C320 -5	20000	4200	25	6	18	•
TDC05D330 -5	30000	4400	20	6	19	•
TDC05D333 -5	33000	4400	20	6	21	•
TDC05D347 -5	47000	4400	20	6	18	•
TDC05D350 -5	50000	4400	20	6	18	•
TDC05D410 -5	100000	4400	15	6	16	•
TDC05D415 -5	150000	4500	10	6	14	•
TDC05D420 -5	200000	4600	8	6	23	•
TDC05D422 -5	220000	4500	6	6	20	•
TDC05D433 -5	330000	4500	6	6	21	•
TDC05D440 -5	400000	4500	5	6	18	•
TDC05D447 -5	470000	5200	5	6	18	•

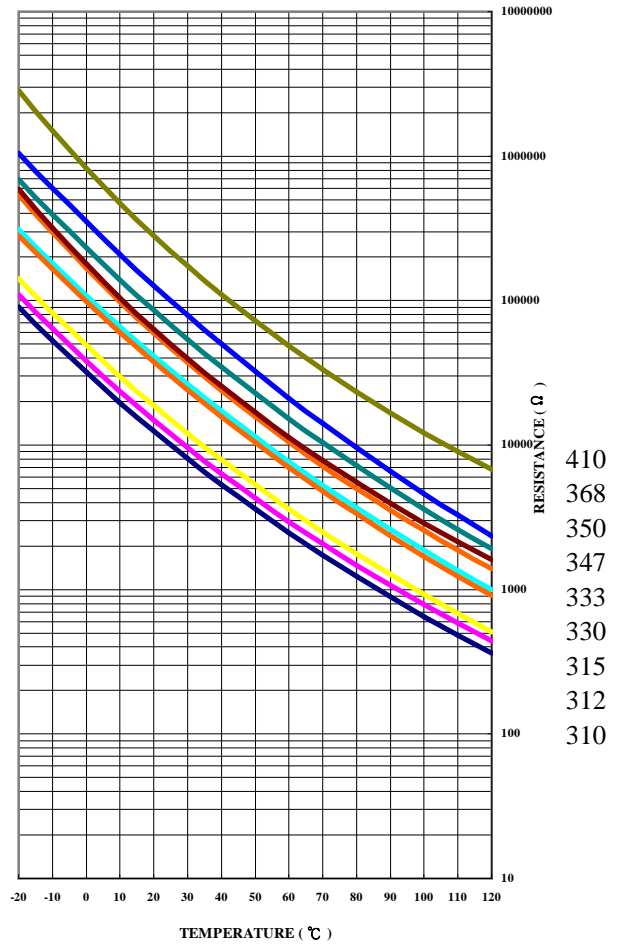
### Maximum. power rating(Pmax)



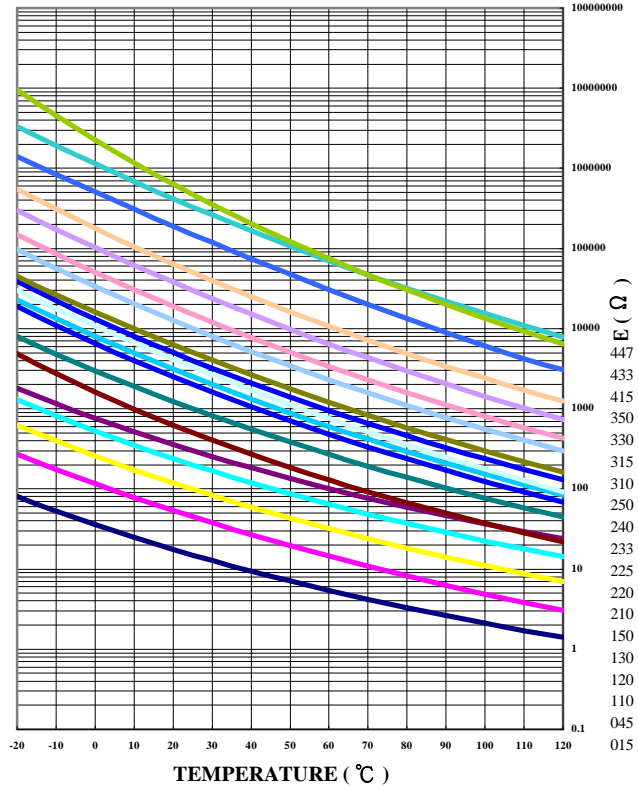
Typical R-T Curves of TDC 3mm Series



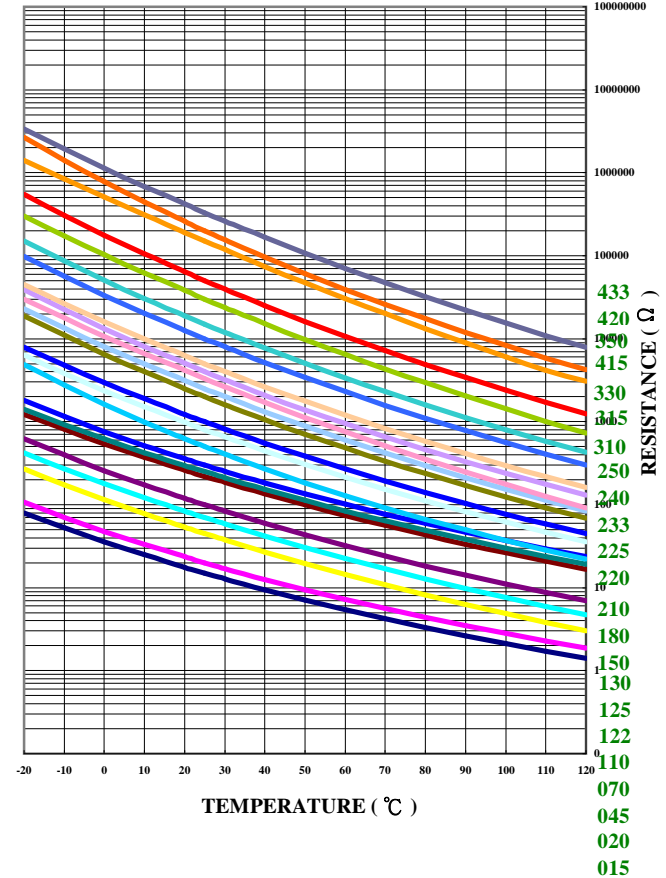
Typical R-T Curves of TDC 3mm Series



Typical R-T Curves of TDC 5mm Series



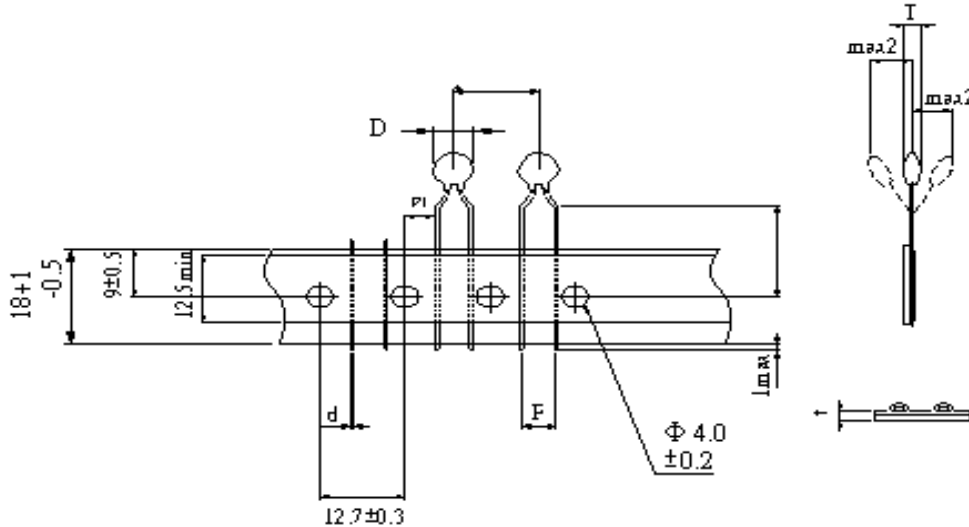
Typical R-T Curves of TDC 5mm Series



# Packaging

## ◎Taping Specification

5Φ



### TA SERIES

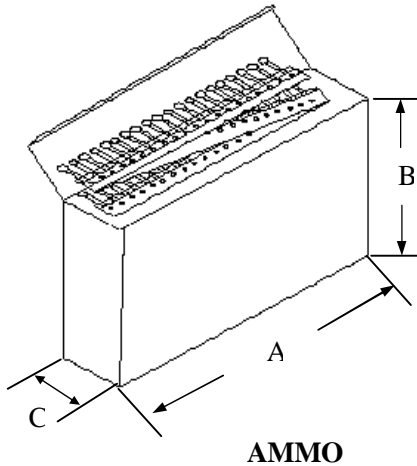
Φ	Dmax.	F±1	Tmax.	d±0.02	P1±1	H0±1	t	A	B	C
5	6.5	5.0	4.0	0.50	3.85	16.0	1.4	335	240	45

## TR SERIES

$\Phi$	Dmax.	F $\pm$ 1	Tmax.	d $\pm$ 0.02	P1 $\pm$ 1	H0 $\pm$ 1	t	A	B	C	E
5	6.5	5.0	4.0	0.50	3.85	16.0	1.4	31	76	340	55

## © Quantity

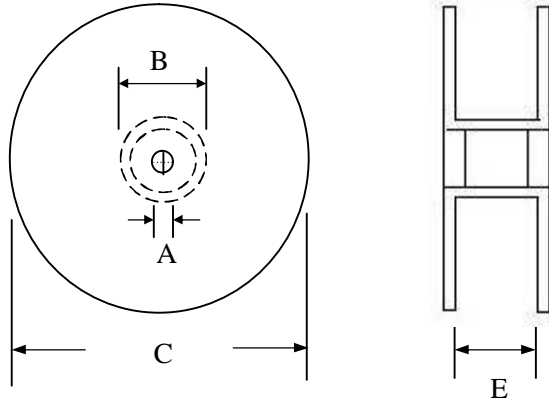
### TA SERIES



### AMMO Packing

Disc size/mm	Quantity(PCS/BOX)
5 $\Phi$	1500

## TR SERIES



**REEL**

## REEL Packing

Disc size/mm	Quantity(PCS/REEL)
5 $\Phi$	1500

## BULK Packing

Disc size/mm	Quantity(PCS/Bag)
5 $\Phi$	500